



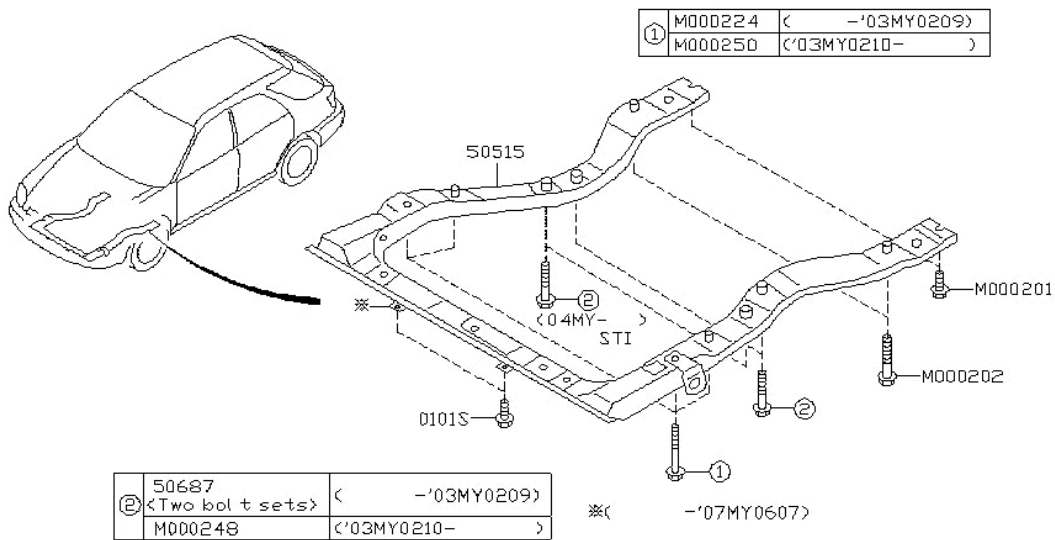
Rally America, Inc.
 300 Cornerstone Drive,
 Suite 315
 Williston, VT 05495

w) 763.553.2742 ext 3
 f) 801.340.3284

February 9, 2017

Subject: Clarification of NLO Chassis Rules

The OE chassis brace as illustrated below is not required for NLO compliance. This part is a bolt-on reinforcement with no suspension mounting points, it may be removed, or replaced with an alternate brace or skid plate mount, provided the remaining chassis is not modified. Note that this part is required to be in place for SP.



A595001021

Thank you,

Mike Hurst
 Competition Director
 Rally America